

Automatic Hand Sanitizer Dispenser

Contact Less

(European Union-CE Certified)

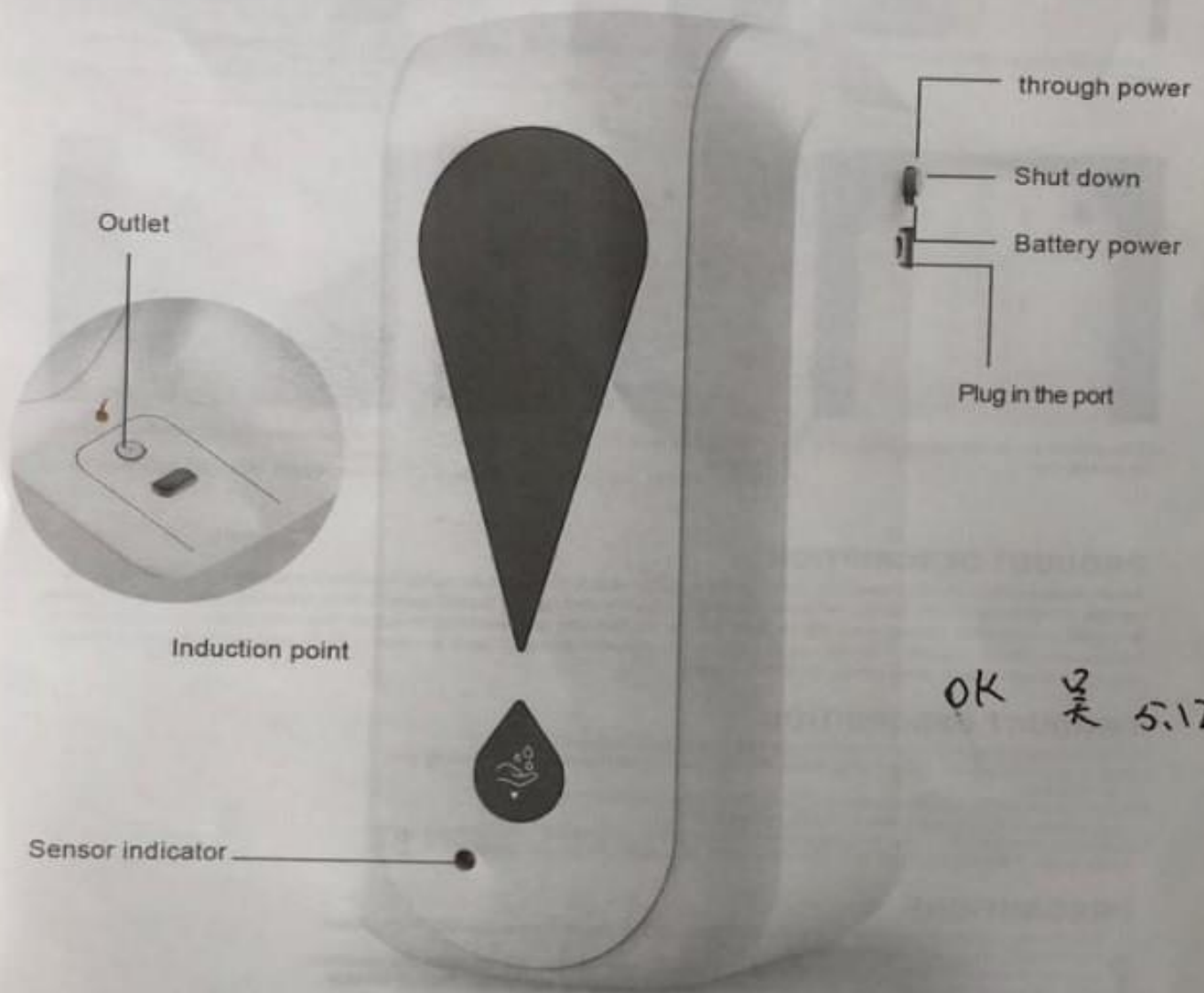
- ✚ Dual battery power supply;
- ✚ Export the machine without plug or battery Method of discharge: foams, drops, sprays
- ✚ Certificate: ROHs, CE certificate
- ✚ Capacity: 1200ml
- ✚ Battery:1200MAh
- ✚ Sensing Type:Touchless infrared
- ✚ Sensor Distance: 3cm - 5cm
- ✚ Liquid Supply:0.8-1.2ml
- ✚ Material: ABS
- ✚ Product Size:125*107*260mm
- ✚ Occasions: School, Kitchen, Bathroom, Public Toilet, etc.
- ✚ Features: Automatic, Infrared Sensor, Liquid Sanitizer Touchless
- ✚ Packing Details
 - 57*27*57cm
 - 20PCS/CTN
 - Product Size:125*107*260mm
 - 16kg/CTN

Automatic Hand Sanitizer Dispenser



Automatic Soap Dispenser

Intelligent induction hand washing machine



Instructions



© 25min 500ml water



Automatic induction



Vibration reduction



Plug in the port



Contact-free

*Note: turn off the power when adding hand sanitizer



1. Turn the top groove button to turn on the phone



2. Open the cover in the direction of the arrow, the cover can be flipped nearly 180° to facilitate taking out the water bottle



3. Unplug the water pipe cover, the water bottle can be filled with 1200ml of liquid; please press the pump head a few times to expel excess air for the first time



4. Four grooves on the back can be hung on the wall for easy use



5. Turn on the switch, as shown in the figure, the power indicator lights up, and the machine starts to work



6. Put your hand under the machine; no need to touch, it will induce liquid. The sensing distance is 8cm.

PRODUCT DESCRIPTION

Smart sensor hand washing machine/ induction soap dispenser is an automatic spray type hand washing machine / soap dispenser using digital circuit control, infrared automatic induction and battery (or DC power) drive. It has the advantages of stable and reliable operation, strong resistance to light source interference, and sensitive induction. The infrared sensor automatically ejects liquid, which is suitable for the use of various disinfectants, potions / hand sanitizers; It's low-energy drive circuit, the battery life is longer. It is an ideal choice for public places.

PRODUCT DESCRIPTION

- Fully automatic induction-to avoid the spread of bacteria caused by contact.
- Fully automatic power-saving chip-more energy-saving, environmentally friendly and cost-effective.
- More user-friendly design-simple installation, simple use and long life.
- Long battery life and supports AC / DC power supply
- Automatic continuous spray function, when continuous sensing, the machine will spray once every 3 seconds, it will automatically stop, re-sensing, you can continue to work.

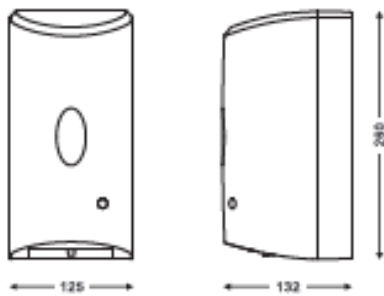
PRECAUTIONS

1. The power supply should be in the disconnected state, the machine can not work, close the front shell, the green light shows, Ready to use
2. In order to prevent misoperation, there should be at least 40cm space under the machine, and do not install in places exposed to strong sunlight and above strong reflective objects
3. Prevent any objects from blocking the liquid outlet
4. Keep the liquid in the machine clean and free of other strip-shaped or block-shaped impurities
5. Avoid direct fire on the machine
6. If there is liquid in the container during disassembly, it is forbidden to lay the product flat to prevent the liquid from flowing out
- Wetting the motor and circuit board, causing damage, the liquid must be poured out before it can be laid flat

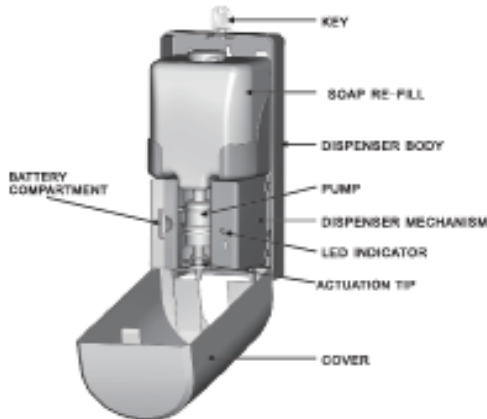
WARNING

1. This product is suitable for children over 14 years of age. It contains small parts and is not suitable for children under 3 years of age.
2. When using, please put away the package. In order to avoid the danger of asphyxia caused by children playing, please use it under the supervision of adults.
3. This product is not waterproof. Do not let the product touch any liquid or be splashed, keep away from fire source.
4. It is strictly forbidden to use products in hanging environment without fences, such as rooftops, stairs, duplex houses, etc.
5. The power supply mode is 3.7V 1200 lithium battery.
6. The input voltage of the product is DC 5V 0.5-1A. Do not use a charging adapter with higher voltage.
7. Charging prompts if the red light exceeds 4 hours, please stop charging immediately to prevent excessive battery charging and accidents. Batteries or charging wires should be replaced or confirmed by maintenance personnel.
8. The pack contains important information and must be retained.

7960 ELECTRONIC SOAP DISPENSER INSTRUCTION



Electronic Soap Dispenser Parts Breakdown



INSTALLATION METHOD

1. Insert the key into the hole located at the top of the dispenser, push down with the key and pull the cover towards you. The cover controls a power interlock switch located in the dispenser. In the closed position, the cover will actuate the power switch. The dispenser will not activate when the cover is in the open position.
2. Open the cover. Using the back plate as a template, mark screw hole locations on the wall. Install supplied anchors in the wall. Secure the dispenser with the supplied screws.
3. Remove the battery compartment by depressing the compartment tab pulling the compartment towards you. Insert six(6) AA size alkaline as diagramed in the battery compartment. Replace the battery compartment by sliding the compartment towards the back of the dispenser until it clicks into place.

USAGE:

1. Fill the soap into the receptacle or installate one soap bag with soap in the dispenser.
2. Close the cover and the LED will flash 3 times indicating the dispenser is ready for use, place hand(s) underneath dispenser within 5" of the sensor, the dispenser will dispense approximately 0.4ml of soap into your hand(s). If additional soap is needed, open the cover and put the toggle switch (figure 2) to 2 or 3, the dispenser will work 2 or 3 times. The LED will flash until the dispenser finishes.

- Note:**
1. The dispenser cover must be closed to activate.
 2. When the supply voltage is too low, the LED will blink continuously, and then the dispenser won't work, please change the batteries immediately.

Please pass the instruction to the user after finish install

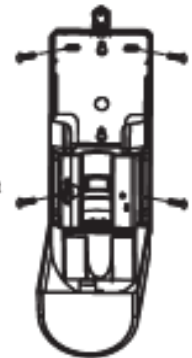


FIGURE 1

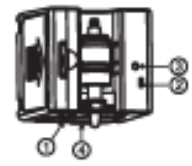
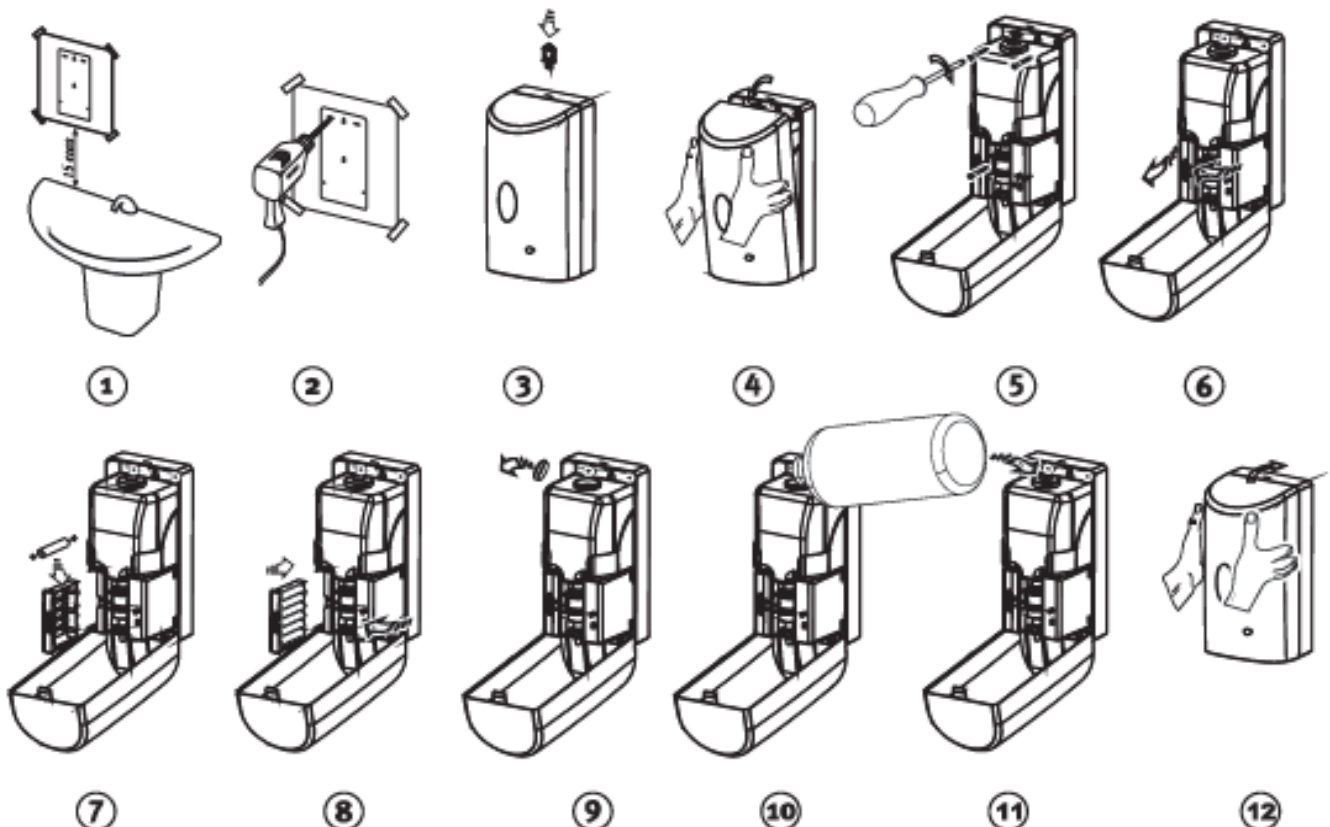


FIGURE 2

1. POWER SWITCH
2. TOGGLE SWITCH
3. LED INDICATOR
4. SENSOR PARTS

Troubleshooting quickly:

- 1: The machine no response, the battery is installed correctly, the adapter light is lit, DC plug is loose. The liquid does not remove the kettle to make the liquid or water flow into the movement lead to the battery or DC seat rusty, check the battery or DC seat is rusty, such as rust with a blade to remove rust can be.
- 2: Blinking red at intervals of 1 second, battery low, battery replacement, or wrong adapter, the unit uses a positive external DC adapter of 9V / 1A. Do not use other voltage adapter instead. If the replacement battery or adapter any red flash at any time interval of 1 second, the movement has been into the water or into the liquid, remove the pot and the movement with a towel to wipe clean with a hair dryer to dry the movement. If you still blink red light interval of 1 second, please contact the manufacturer.
- 3: Rapid red light flashes 5 times Quickly flashes 5 times in 1 second, the machine has self-inductance, check whether there is any object within 25CM at the bottom of the machine. Or install the machine high 10CM.



CERTIFICATE



CERTIFICATE

Of Conformity

EC Council Directive 2011/65/EU and amendment Commission Delegated Directive (EU) 2015/863 with effective from 22 July 2019
Restriction of the Use of Certain Hazardous Substances
in Electrical and Electronic Equipment

Registration No.: AT18300RC000589

Report No.: 18300RC00058901

Applicant

:



Product

: Soap Dispenser

Test Model No.

: K-3008

Trade Mark

: Creade

Test Method

: IEC 62321-3-1:2013, IEC 62321-5:2013,
IEC 62321-4:2013+AMD1:2017, IEC 62321-7-1:2015,
IEC 62321-7-2:2017, IEC 62321-6:2015,
IEC 62321-8:2017

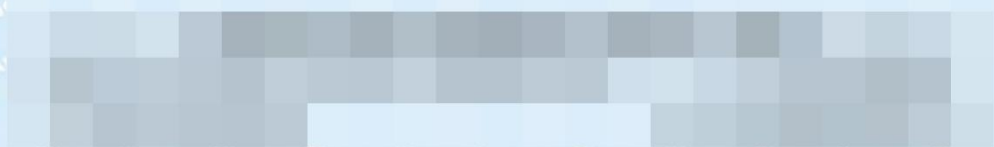
This is to certify that, the certificate is based on Anbotek's test results and other related substance information provided by applicant. Selected material of the submitted sample fulfills the requirement of the Directive 2011/65/EU (RoHS) and amendment Commission Delegated Directive (EU) 2015/863 with effective from 22 July 2019.



Certified by

Devin Ye

Mar. 23, 2020
Date



For Sales Enquiry Contact

Dr. Sunita Gupta

M.D.-Microbiology, Virology & Bacteriology
Senior Consultant Microbiologist cum Infection Control
Officer

NABL Lead Assessor

NABH Hospital –(Pre Entry Level)Assessor

Quality Council Of India-CGHS/ ECHS Assessor

Dr. Vivek Gupta

NABH Principal Assessor
Quality Council Of India-CGHS/ ECHS Assessor

HYGIENE SOLUTIONS

12, Hathroi Market, Ajmer Road,
Opp. Akar Motors-Jaipur
(Rajasthan)-India-302001

URL: www.hygienesolutions.us (Under Construction)

Mob: +91-94140-42882

Email:- drvivek@hygienesolutions.us

We Chat ID: drvivek2882

GSTIN: 08ABBPG7725Q1Z7